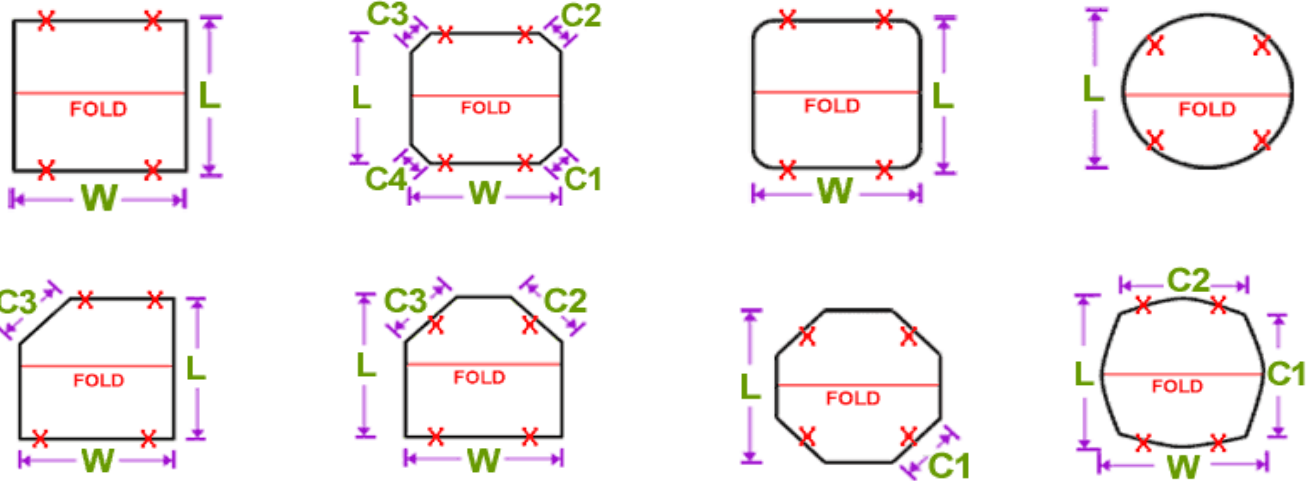


3117 S Campbell Ave, Springfield, MO 65807
PHONE (417) 883-8827

Please mark appropriate figure - use inches "
Measure from outside edge of hot tub.

1. Choose your cover shape and fill in dimensions.



L = _____ W = _____ C1 = _____ C2 = _____ C3 = _____

By Signing Here I verify that these measurements are correct: _____

2. Fill in skirt size and foam density.



_____ Standard = 2.5"
 _____ Custom = _____"
 _____ No Skirt



All covers are 4" to 2" taper.

1 LB
 1.5 LB
 (added cost)

3. Choose your color.

Old Teak Burgundy Black Charcoal White Brown
 Navy Teal Lt Blue Hunter Green Sand Lt Gray

4. Customer information:

Customer Name: _____

Address: _____ City, St _____

Spa Manufacturer _____ Model _____

(if known, this information helps to verify your measurements.)

Date: _____

Deposit Amount: \$ _____

Thank you for ordering your spa cover with Springfield Pool and Spa! Your new cover will arrive in approximately 3 - 6 weeks, and will be shipped to our store location. Delivery can be arranged for an extra charge.